



RS stock numbers : 339-730, 338-9700, 845-976, 845-954, 289-1319, 338-9716

## RSF40 Series

This RSF40 series is designed as a compact internally mounted device, with a wide range of options, making this ideal for size sensitive applications. Mounting of this series requires access to the inside of the tank.

They are manufactured in a variety of materials, with a choice of gasket materials, to suit most commonly used liquids.

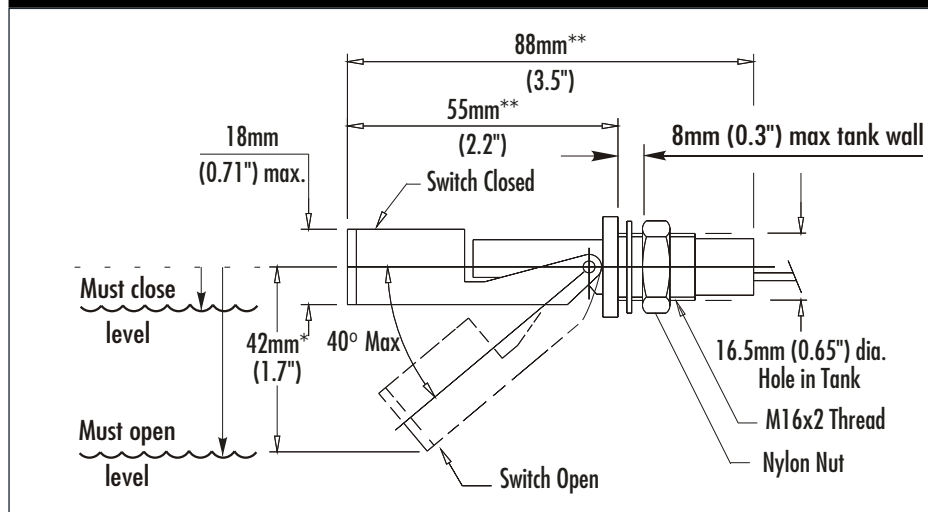
The switch action may be reversed by rotating the device through 180°C.

TECHNICAL SPECIFICATIONS				ELECTRICAL SPECIFICATIONS	
Material	Nylon	Polypropylene	PPS	Switching Voltage VA	25
Colour	Black	Opaque	Grey	Switching Voltage AC	240
Temp. Range °C	-20 / +75	-20 / +100	-10 / +120*	Switching Voltage DC	120
°F	-4 / +167	-4 / +212	+14 / +248*	Switching Current Max. A	0.6
Min. Fluid S.G.	0.85	0.85	0.85	Breakdown Voltage DC	800
Must Close Level (S.G.=1)	7mm	8mm	9mm		
Must Open Level (S.G.=1)	20mm	20mm	24mm		

\*Maximum temperature requires ETFE cable to be specified.

Stock No.	Crydom no.	Material	Leadouts	Gaskets	Insertion Length
339-730	RSF43Y050QF	Nylon	0.5m PVC 24/0.2	Nitrile	55
338-9700	RSF43Y100RF	Nylon	1m PVC 16/0.2 UL approved	Nitrile	55
845-976	RSF44Y050QF	Polypropylene	0.5m PVC 24/0.2	Nitrile	55
845-954	RSF45Y050QF	Polysulfone	0.5m PVC 24/0.2	Nitrile	55
289-1319	RSF46Y050TG	PPS	0.5m ETFE 19/0.2	Viton	67
338-9716	RSF46Y100RG	PPS	1m PVC 16/0.2 UL approved	Viton + Silicone	67

### OUTLINE DIMENSIONS



\* 49mm RSF46

\*\* Add 10mm to dims, RSF46

Every effort has been made to ensure that the descriptions and specifications quoted are correct, however, no liability can be accepted for any errors or omissions in this data. The detail specifications are subject to change without prior notice.

RSF40-2000RS

**CRYDOM**

Control over power



- Compact design
- Reliable Reed switch contacts
- Available in Nylon, Polypropylene or PPS
- WBS approval
- Many variants are UL recognised components File Number E171218

Crydom Magnetics Ltd  
7 Cobham Road  
Ferndown Industrial Estate  
Wimborne  
Dorset BH21 7PE  
Tel: +44 (0) 1202 897969  
Fax: +44 (0) 1202 891918  
magnetics@crydom.com  
www.crydom.co.uk